

BED

INFORMATION

GENERAL INFORMATION

DESIGN BY	Anton de Groof, 2013
MATERIALS	Steel & aluminium
PRODUCT	13. Bolt bed lamp - side fit 14. Bolt bed lamp - under fit
DESCRIPTION	Bed lamp in coated steel, shade in coated aluminium. Lamp head and lamp arm are adjustable with special wingnut.
TOTAL WEIGHT	1,05 kg - side fit 1,04 kg - under fit

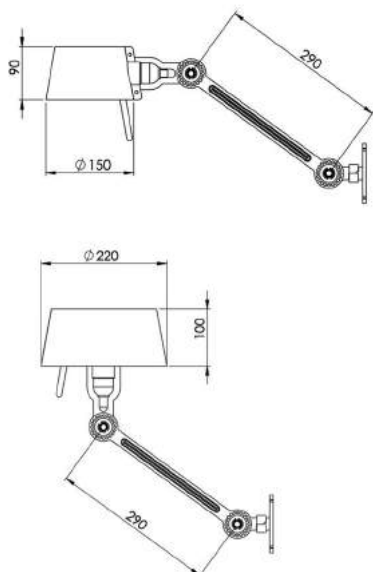
TECH. SPECIFICATIONS

INPUT	200-240 V
MAX. WATT	Max. 60 Watt
LIGHT BULB	E27

POSITIONS

The lamp can be adjusted at all its joints. This gives endless possibilities to the position of the lamp.

DIMENSIONS



IN THE PACKAGE

- 01** A special wingnut shaped tool to adjust the lamp
- 02** A wall plate for assembly on the wall

GOOD TO KNOW

- ENVIRONMENT** Special waste handling may be required please contact your local authorities for more information
- CLEANING** Wipe clean with a dry cloth
- SAFETY** Minimum safe distance to illuminated object: 30 cm

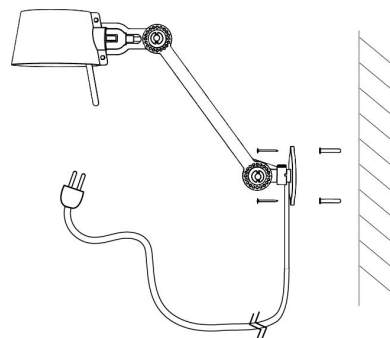
COLORS

The Bolt lamp is available in 7 colors.

INSTALLATION

The Bed lamp can be delivered for 2 types of installation:

1. Installation on the wall; lamp comes with a power cord with a plug. The light switch is on the lamp socket.



2. Installation on junction box in the wall; the lamp can be switched on with the light switch on the lamp socket.

